

AL-KO
QUALITY FOR LIFE



AL-KO SIDE LIFT JACK

HANDBOOK FOR THE 1000KG SIDE LIFT JACK
FOR CARAVANS WITH A MAXIMUM GROSS WEIGHT OF 2000KG

CONTENTS

- 3 WARNINGS & TECHNICAL INFORMATION
- 4 FITMENT OF JACK BRACKETS
- 7 OPERATING INSTRUCTIONS
- 8 TECHNICAL DATA
- 9 FAQs

KIT CONTENTS

- | | |
|---------------------------------|--------------------|
| 1 x Side Lift Jack | 8 x M13 Washers |
| 1 x Storage Bag (if applicable) | 4 x M12x35 Bolt |
| 2 x Inner Jack Brackets | 4 x M12 Nylock Nut |
| 2 x Outer Jack Brackets | 1 x Instructions |

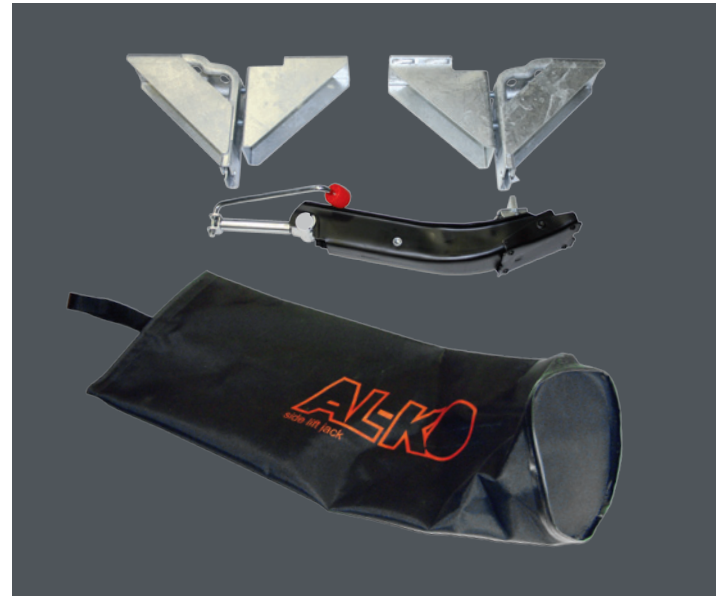


Fig 1 AL-KO Side Lift Jack Kit

WARNINGS

- 1 **NEVER LIE UNDERNEATH A JACKED-UP VEHICLE, AS THIS IS HIGHLY DANGEROUS AND COULD RESULT IN SERIOUS INJURY OR EVEN DEATH!**
- 2 The caravan **MUST** be attached to the towing vehicle and the handbrake on both the towing vehicle and caravan **MUST** be applied.
- 3 The AL-KO Caravan Jack is not designed to be used as a permanent steady, but it can be used as an aid to levelling the caravan, in addition to changing the wheel.
- 4 In the case of manual towing vehicles, select 1st or reverse gear; with automatic towing vehicles, place the selector lever in the 'P' position.
- 5 As an additional safety measure, chock the caravan wheel (back and front) on the opposite side to the one to be changed.

TECHNICAL INFORMATION

- 1 This product is suitable for use with caravans with a Maximum Gross Weight of 2000kg (1000kg static load).
- 2 The jack brackets can be attached to caravans fitted with AL-KO Chassis, manufactured from 1980.

CARAVANS MANUFACTURED FROM 1980 - 1991

Drilling of the chassis is required but only in accordance with the instructions printed in this handbook.

CARAVANS MANUFACTURED AFTER 1991

No drilling is required as the chassis frame will already have the pre-punched holes.

- 3 These brackets can only be fitted to high frame chassis 215 mm.

FITMENT OF JACK BRACKETS

- 1 The jack mounting brackets can be fitted to both single and tandem axle caravans, on both sides of the chassis, behind the axle(s).

NOTE

Care should be taken to ensure the brackets do not interfere with any other equipment fitted in this area.

Please observe minimum clearances as per Fig 2.

- 2 On AL-KO chassis manufactured from 1991 onwards, the mounting holes are already incorporated into the longitudinal chassis members as standard.
- 3 This jacking system can be fitted to most AL-KO chassis manufactured from 1980 onwards.
- 4 If your chassis was manufactured between 1980 and 1991, it may be necessary to drill holes for the side lift jack.

There are two possible locations in which you should drill the holes, and the most suitable location for your chassis can be determined as follows.

Position a (Fig 3/a)

If the criteria for 4a & 4b can be met then the holes should be drilled in position a, as illustrated at the top of Fig 3.

- 4a The clearance from the rear of the wheel arch (Fig 3/item 1) to the centre of the spare wheel carrier mounting hole (Fig 3/item 2) must be a minimum of 95 mm.

- 4b The lower face of the jack mounting bracket must hang below the lower face of the chassis member.

Position b (Fig 3/b)

If 4a & 4b **cannot** be met, the jack mounting brackets must be fit behind the spare wheel carrier, in holes drilled in position b, as illustrated at the bottom of Fig 3. Note the minimum clearance of 55 mm from the centre of the spare wheel carrier mounting hole (Fig 3/item 3) to the centre of the hole for retro-fit set.

NOTE

Whether drilling in position a or b remember to apply corrosion protection (cold zinc galvanising spray) after drilling.

CAUTION

Use in well ventilated area and follow instructions on tin.

FITMENT OF JACK BRACKETS

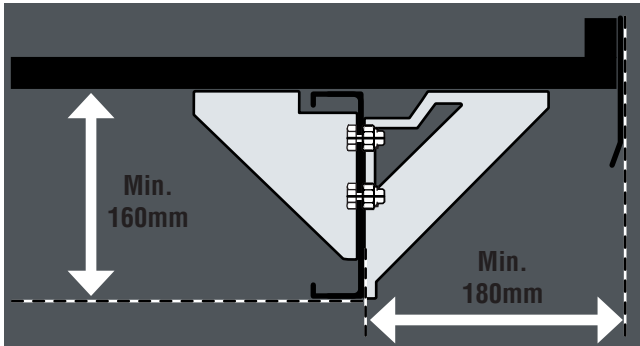


Fig 2 Minimum clearances

FRAME HEIGHT	HOLE SPACING		HOLE DIA.
A (mm)	B (mm)	C (mm)	D (mm)
215	40	55	13

Fig 4 Drilling according to position 'a' (C Section Chassis Members)

FRAME HEIGHT	HOLE SPACING		HOLE DIA.
A (mm)	E (mm)	F (mm)	D (mm)
215	40	55	13

Fig 5 Drilling according to position 'b' (C Section Chassis Members)

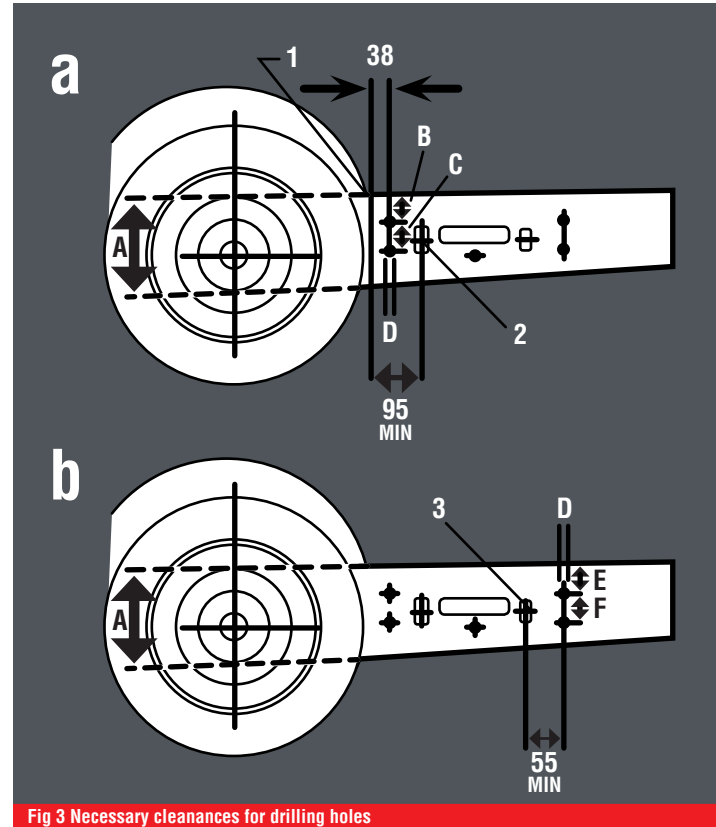
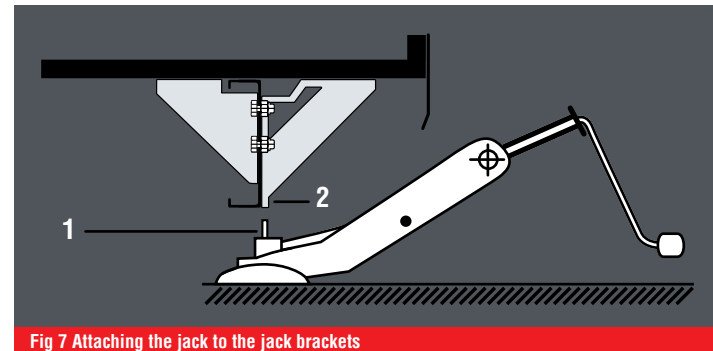
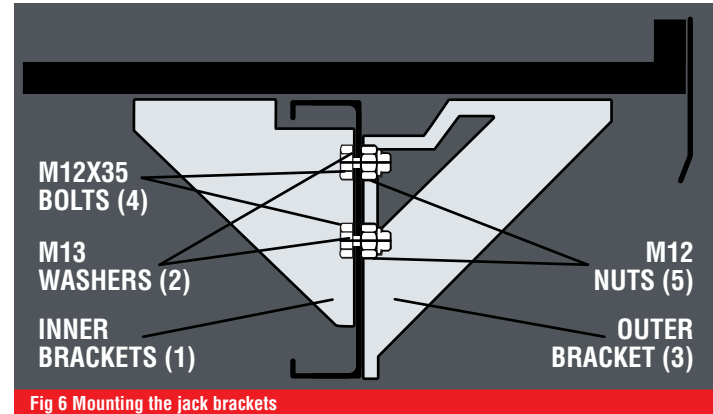


Fig 3 Necessary clearances for drilling holes

FITMENT OF JACK BRACKETS

- 5 Position the inner jack mounting bracket (Fig 6/item 1) with cutaway section of the bracket at the top edge, lining up the holes in the bracket, with those in the chassis.
- 6 Fit 2 x M13 washers (Fig 6/item 2) onto the M12x35 Bolt head (Fig 6/item 4) and insert bolt through holes, with bolt head on inner side of chassis.
- 7 Position the outer jack mounting bracket (Fig 6/item 3), lining up the holes in the bracket, with those in the chassis member.
- 8 Fit 2 x M13 washers (Fig 6/item 2) onto bolts.
- 9 Fit the M12 self-locking nuts (Fig 6/item 5) and torque up to 86 Nm.



OPERATING INSTRUCTIONS

- 1 Attach caravan to the towing vehicle and apply the handbrake on both towing vehicle and caravan.
- 2 In the case of manual towing vehicles, select 1st or reverse gear; with automatic towing vehicles, place the selector lever in the 'P' position.
- 3 As an additional safety measure ensure that you chock the caravan wheel (back and front) on the opposite side to the one to be changed.
- 4 Clean jack mounting brackets on the caravan.
- 5 Remove jack from storage bag (if applicable).
- 6 Extend spare wheel carrier (if applicable) to remove spare wheel.
- 7 If the ground is soft or likely to giveaway, put a plank or something similar under the base plate of the jack.
- 8 Slot the insert piece (Fig 7/item 1) into the jack mounting bracket (Fig 7/item 2) until it connects.

- 9 Holding the jack with one hand, turn the jack handle in a clockwise direction until the base plate reaches the ground.

NOTE

Wear gloves when winding up the jack to protect your hands against possible injury.

- 10 Before operating jack, please check jack components are not catching on side overhang of caravan.

CAUTION

The base plate must sit flat on ground, vertical to chassis member. See fig 4. If these precautions are not observed; there is danger of damage to the vehicle jack or caravan.

- 11 Lift caravan by continuing to turn the handle in a clockwise direction (only lift the vehicle until the wheel is no longer in contact with the ground (Max. 375mm)).

TECHNICAL DATA

Min. Ground Clearance A (mm) Fig 6a	Max. Lifting Ht. B (mm) Fig 6b	Static Load (Kg)
85	375	1000

Fig 8 Technical data

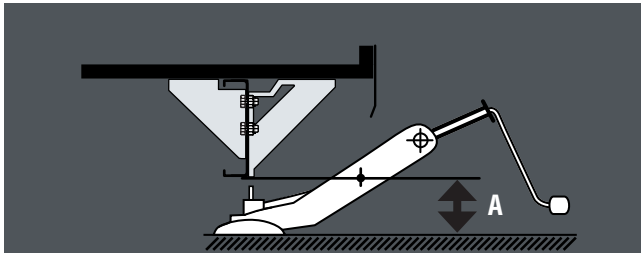


Fig 9 Min Ground clearance

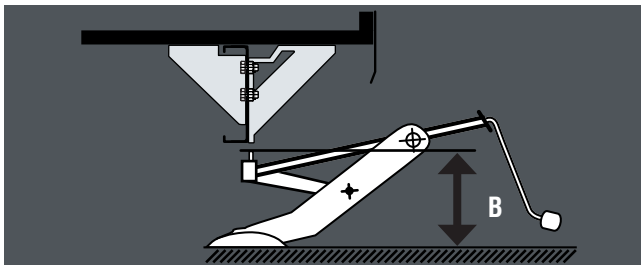


Fig 10 Maximum lifting height

WARNING

NEVER LIE UNDERNEATH A JACKED-UP VEHICLE, AS THIS IS HIGHLY DANGEROUS AND COULD RESULT IN SERIOUS INJURY OR EVEN DEATH!

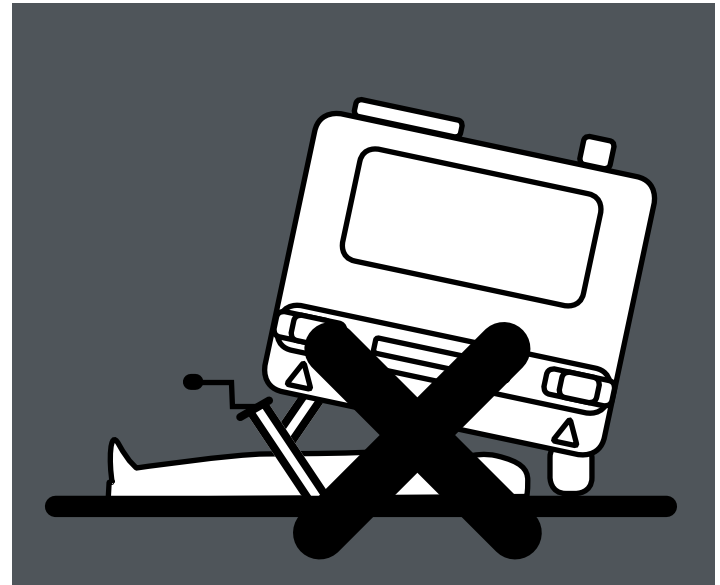


Fig 11 Never lie underneath a jacked vehicle

FAQS

HOW DO I KNOW WHICH JACK I NEED?

There are two side lift jacks kits available, the 2000kg version and the 1600kg version. This figure is based on the maximum weight of the caravan. The jacks will lift a static load of 1000kg and 800kg respectively.

WHY HAS MY BRACKET BENT?

It is vital that the jack and brackets be lined up as shown in Fig 7 on page 6. The joining section must be directly underneath the bracket, and the joining section must not enter the jack bracket at angle as this could put stress on the bracket and cause it to bend in use.

HOW DO I STOP THE JACK SLIPPING?

If the ground is soft or likely to give way, put a plank or something similar under the base plate of the jack.

WHERE CAN I FIT THE JACK BRACKETS?

The jack brackets are only suitable for fitment in either of the locations as shown in Fig 3 on page 5.