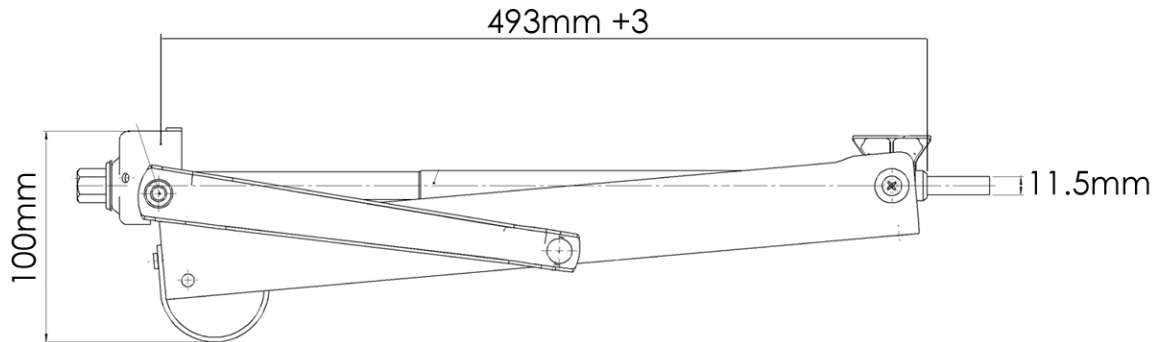


MINIMUM HEIGHT: 100 mm
HEIGHT: 460 mm WITH
POSITION 60°
HEIGHT: 500 mm WITH
MAX. POSITION 75°



AL-KO 205808

HOT DIP GALVANISED: EN ISO 1461-tZn
MAXIMUM STATIC LOAD: 800 KG
MAX. LIFT-CAPACITY: 400 KG

