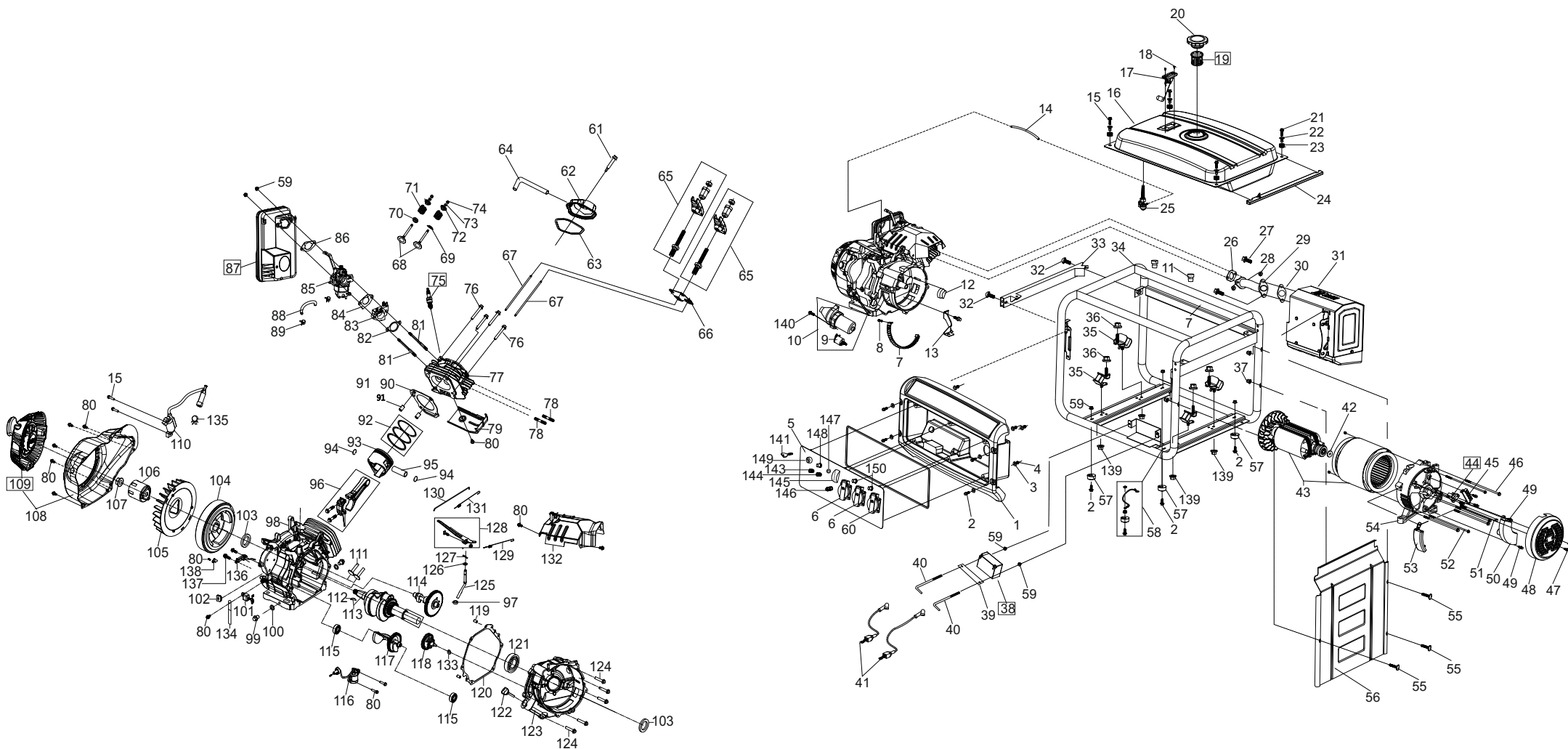


Stromerzeugungsgerät 6500C

Art.-Nr. 130932



142 Zubehörbeutel

E30932

a	b	c	d	e	f
---	---	---	---	---	---

Stromerzeugungsgerät 6500C

Art.-Nr. 130932



Pos.	Art.-Nr.	Pos.	Art.-Nr.	Pos.	Art.-Nr.	Pos.	Art.-Nr.
1	534869	42	534902	82	534823	123	534795
2	534599	43	534924	83	534825	124	534889
3	415682	44	534925	84	534822	125	534833
4	534709	45	415689	85	534821	126	534904
5	534862	46	534896	86	534824	127	534695
6	534744	47	534727	87	534837	128	534832
7	534922	47	534727	88	534911	129	534830
8	534894	48	534920	89	534720	130	534829
9	534851	49	534892	90	534798	131	534831
10	415687	50	534926	91	534906	132	534834
11	534734	51	534886	92	534803	133	534696
12	534921	52	534897	93	534801	134	534916
13	534877	53	534923	94	534905	135	534915
14	534911	54	534919	95	534802	136	534848
15	534687	55	534704	96	534804	137	534890
16	534826	56	534884	97	534659	138	534849
17	534827	57	534739	98	534794	139	534738
18	534713	58	534873	99	534792	140	534891
19	534712	59	534550	100	534903	141	415992
20	534711	60	534865	101	534656	142	415991
21	534717	61	534800	102	534914	143	534870
22	534718	62	534799	103	534909	144	534871
23	534719	63	534912	104	534847	145	534860
24	534836	64	534910	105	534819	146	534751
25	534715	65	534815	106	534846	147	534876
26	534842	66	534818	107	534900	148	534858
27	534671	67	534816	108	534844	149	534861
28	534738	68	534918	109	534845	150	534859
29	534841	69	534811	110	534852		
30	534843	70	534814	111	534817		
31	534840	71	534810	112	415690		
32	534782	72	534812	113	534805		
33	534880	73	534813	114	534807		
34	534879	74	534809	115	534907		
35	415688	75	534636	116	534874		
36	534901	76	534895	117	534806		
37	534705	77	534797	118	534835		
38	534854	78	534637	119	534878		
39	534855	79	534820	120	534796		
40	534856	80	534887	121	534908		
41	534857	81	534898	122	534793		

E30932

a	b	c	d	e	f
---	---	---	---	---	---