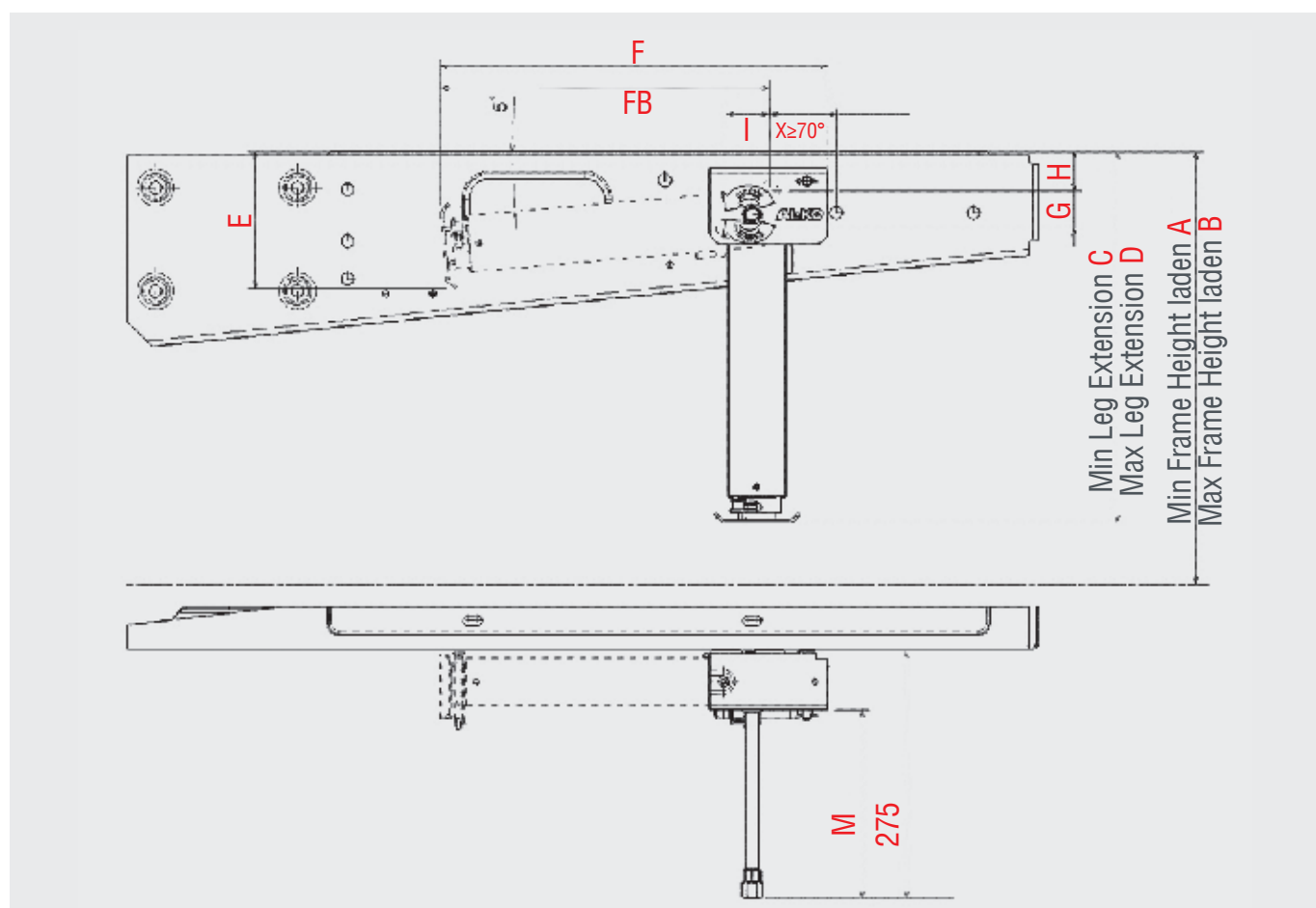


Selecting The Correct AL-KO Click Fix Steady Legs

1. Determine Laden Framework height (Dimension A).
2. With this dimension, confirm the part number for the appropriate kit from table below.
3. Ensure there is sufficient free space for the Steady Legs to stow correctly when not in use. Check length 'F' in the table below.



Required Frame Height (mm)		Steady Leg Extension (mm)		Steady Leg Dimensions (mm)			Fixing Position Dimensions (mm)			Lowering Mechanism Length (mm)	Weight (kg)	Part No.
Min A	Max B	Min C	Max D	E	FB	F	G	H	I	M	(kg)	
310	424	281	445	140	302	364	40	41.5	45	200	7.2	1239362
320	440	297	464	142	320	382	40	41.5	45	200	7.3	1239363
420	624	397	654	150	419	481	40	41.5	45	200	8.4	1239364
460	710	446	744	155	469	531	40	41.5	45	200	8.9	1239365